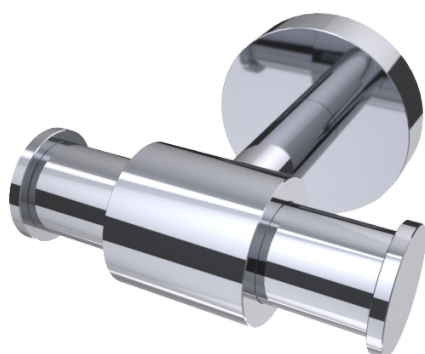


Haccess offers you the equipment of your bathroom, shower, mirrors, accessories, hairdryer and complements.

## DOUBLE HOOK INTEMPORAL



Double hook, chrome brass.  
Invisible screws. Solid brass support plate with stainless steel hex locking screw.  
2/4 fixing points per support plate, oblong holes.  
Solid brass chrome end-pieces and screw covers.  
Stainless steel screws and wall plugs included.  
Chrome warranty 5 years.

Ref : INT.152.00.CHR

### TECHNICAL FEATURES

<b>Dimensions</b>	80 x 50 x 70 mm
<b>Materials</b>	Brass
<b>Finishing</b>	Chrome



Haccess offers you the equipment of your bathroom, shower, mirrors, accessories, hairdryer and complements.

INT.152.00.CHR : DOUBLE HOOK INTEMPORAL

Haccess offers you the equipment of your bathroom, shower, mirrors, accessories, hairdryer and complements.

